

Load

APLDC6GNMxW

Revision record

Date	Version	Author	Revision description	Comment
2024/12/02	V1.2	Vivian	Created	/

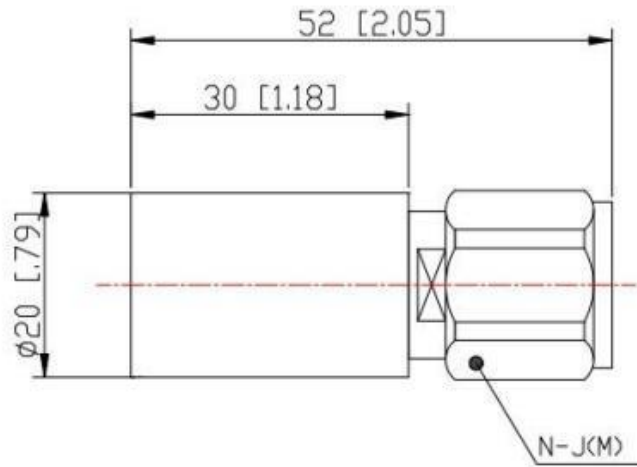
Electrical specification

Parameter	Specification		
Model number	APLDC6GNM2W	APLDC6GNM5W	APLDC6GNM10W
Average power	≤2W	≤5W	≤10W
Frequency range	DC-6000MHz		
VSWR	≤1.2		
Impedance	50Ω		
Temperature range	-35°C to +125°C		
Relative humidity	0 to 95%		

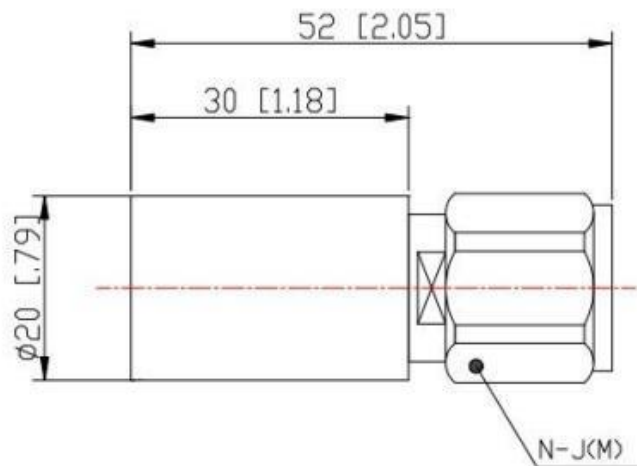
Mechanical specification

Parameter	Specification		
Dimension	APLDC6GNM2W	APLDC6GNM5W	APLDC6GNM10W
	Φ20mm x 30.3mm	Φ20mm x 30.3mm	Φ30mm x 30mm
Connectors	N-Male		
Notes	Material shall be RoHS 6/6		

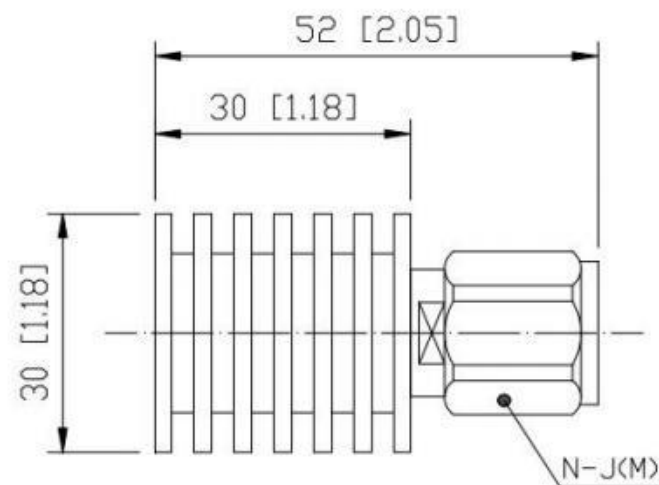
Outline



APLDC6GNM2W



APLDC6GNM5W



APLDC6GNM10W